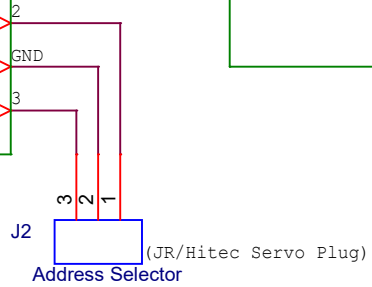
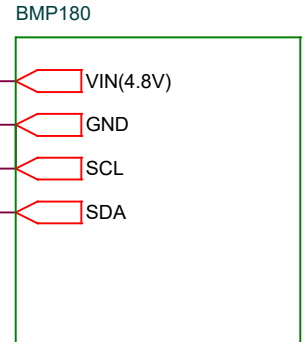
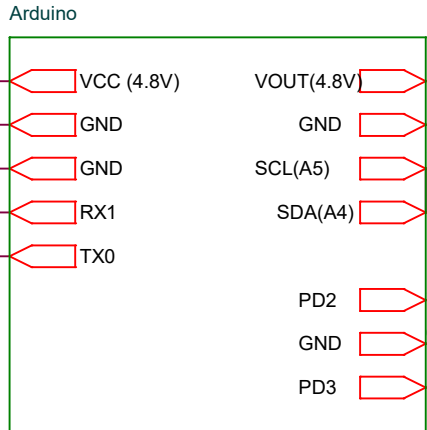
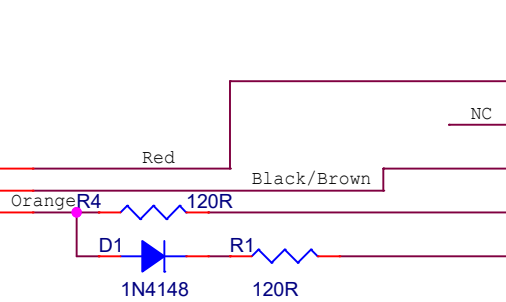


**MLink Receiver**  
(JR/Hitec Servo Plug)



Title		
MLink Altimeter Circuit		
Size A	Document Number	Rev DGW
Date:	Wednesday, March 21, 2018	Sheet 1 of 1